



## Linear Slot Diffuser – Flangeless

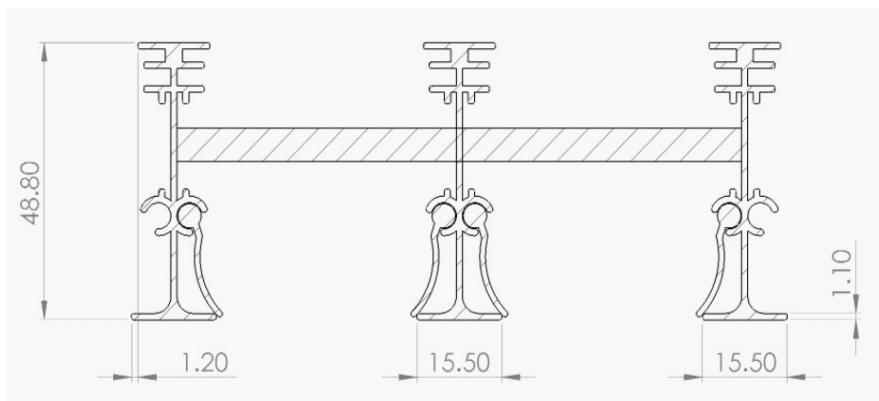
### General Information:

Ventech produce Linear Slot Diffusers from specially drawn aluminium profiles. They are suitable for ceiling and high side-wall applications. Thanks to the connection possibilities of the slot diffusers, it is possible to create continuous diffusers in multiple metres and with different corner angles. The two continuous blade type dampers enable to select the throw direction. Upon demand it is possible to mount sliding type volume regulating dampers at the entries of the slot diffusers.

It is also possible to produce the slot diffusers with plenum boxes. The plenum boxes are produced with side entries only, insulated or uninsulated in accordance with customer's demand. Standard colours of the diffusers are white and other colours are also possible upon customer's request.

### Features:

- Made of high-quality extruded aluminium profile
- Designed for variable air volume systems
- The directions and volume of the discharge air can be adjusted by moving the pattern controllers
- Full 180 ° pattern controller adjustment means there is no left or right, specifying ordering and installing are simplified
- Multiple sections are provided with alignment accessories to provide superior, positive field alignment
- Size manufactured on request
- Up to 8 slots available



## Selection table

### 25MM SLOT WIDTH SUPPLY APPLICATION

No.	Total Press.	Hori z.	1	4	9	16	24	35	49	62
Slots	Pascals.	Vert .	1	2	6	10	15	21	29	37
1	Lit / sec / metre		12	25	37	50	65	75	90	100
	NR		-	-	16	25	32	37	42	46
	Throw	Hor.	0.1 1	0.4 3.4	1 4	1.8 4.6	2.8 5.2	3.4 5.8	4.8 6.2	3.8 6.8
	in metres	Vert	0.6	2.4	3.8	4.4	4.6	5.2	5.6	5.8
2	Lit / sec / metre		25	50	75	100	125	150	175	200
	NR		-	-	21	30	37	42	47	51
	Throw	Hor.	0.4 1.8	1 4.6	1.8 5.8	3.4 6.8	4.4 7.4	4.6 8.2	5 8.2	5.6 9.6
	in metres	Vert	1.6	3.4	5	5.8	6.8	7.6	8	8.6
3	Lit / sec / metre		37	75	115	150	185	225	260	300
	NR		-	16	24	33	40	45	50	54
	Throw	Hor.	0.4 3.2	1.2 5.8	3.2 7	4 8.2	5 9.2	5.8 9.8	6.2 10.8	6.8 11.4
	in metres	Vert	2.2	4	6.2	7.4	8.2	8.8	9.8	10.4
4	Lit / sec / metre		50	100	150	200	250	300	350	400
	NR		-	13	26	35	42	47	52	56
	Throw	Hor.	0.6 4	1.8 6.8	3.8 8.2	4.6 9.6	6.2 10.4	6.8 11.4	7.4 12.2	7.6 13.2
	in metres	Vert	-	13	26	35	42	47	52	56
5	Lit / sec / metre		65	125	185	250	310	375	435	495
	NR		-	14	27	36	43	48	53	57
	Throw	Hor.	0.6 4	2.4 7.4	4 9.2	5.6 10.4	6.8 11.6	7.4 12.8	8 13.8	8.6 14.6
	in metres	Vert	2.8	5.2	7.6	9.6	10.4	11.6	12.6	13.2
6	Lit / sec / metre		75	150	225	300	375	445	520	595
	NR		-	15	28	37	44	49	54	58
	Throw	Hor.	1 4.4	2.8 8.2	4.6 9.8	5.8 11.4	7.4 12.8	8.2 13.8	8.8 15	9.2 16
	in metres	Vert	2.8	5.8	8.6	10.4	11.6	12.6	13.8	14.6
7	Lit / sec / metre		90	175	260	350	435	520	610	695
	NR		-	16	29	38	45	50	55	59
	Throw	Hor.	1 4.6	3.2 8.6	4.6 10.8	6.4 12.2	8 13.8	8.8 15	9.6 16.2	10.2 17.2
	in metres	Vert	3.2	6.2	9.2	11	12.6	13.8	14.6	16
8	Lit / sec / metre		100	200	300	400	495	595	695	795
	NR		-	17	30	39	46	51	56	60
	Throw	Hor.	1.2 5	3.4 9.6	5 11.4	6.8 13.2	8.6 14.6	9.2 16	10.2 17.2	10.8 18.4
	in metres	Vert	3.4	6.8	9.8	12	13.2	14.6	16	16.8

## 20MM SLOT WIDTH SUPPLY APPLICATION

No.	Total Press.	Hori z.	1.5	4	8	14	23	31	44	58
Slot s	Pascals.	Vert .	1	3	6	11	17	24	31	42
1	Lit / sec / metre		9.5	20.2	29	38	46	52	68	78
	NR		-	-	-	20	29	35	41	46
	Throw	Hor.	0.5 1	0.4 3.1	1 3.9	1.8 4.3	2.7 4.9	3.1 5.3	3.1 5.6	3.7 8.5
	in metres	Vert	0.6	2	3.5	4.1	4.6	4.8	5.3	5.5
2	Lit / sec / metre		22	41	58	78	103	121	142	172
	NR		-	-	17	28	35	41	45	51
	Throw	Hor.	0.4 8	1.0 7 3	1.8 5.8	3.2 8.2	3.7 7.1	4.6 8.2	5 7.1	5.1 9.1
	in metres	Vert	1.6	3.1	4.8	5.8	6.4	7.1	7.6	8.1
3	Lit / sec / metre		31	55	89	120	155	182	206	241
	NR		-	-	21	32	40	45	49	54
	Throw	Hor.	0.4 2	1.7 5.8	3.2 7	4 8.2	5 9.2	5.8 9.8	6.6 10.8	6.2 10.4
	in metres	Vert	2.2	3.9	5.7	6.5	7.3	8.2	8.8	9.7
4	Lit / sec / metre		41	81	122	162	192	245	273	332
	NR		-	-	23	34	41	43	51	56
	Throw	Hor.	0.6 4	1.3 8 8	3.5 8.5	4.2 8.4	5.3 9.5	6.1 10.4	6.7 11.4	7.2 12.5
	in metres	Vert	1.9	4.5	6.1	7.7	8.5	9.5	10.2	10.7
5	Lit / sec / metre		51	120	145	192	254	286	335	387
	NR		-	-	23	35	41	46	52	55
	Throw	Hor.	0.6 7	2.3 1 8	3.7 8.3	4.8 9.5	5.8 10.7	6.8 11.5	7.3 12.6	7.9 13.1
	in metres	Vert	2.4	4.7	6.9	8.6	10.1	10.7	11.5	12.1
6	Lit / sec / metre		57	119	182	243	294	353	412	462
	NR		-	-	24	36	41	45	52	56
	Throw	Hor.	0.7 1	2.4 5 3	4.1 8.6	5.3 10.4	6.5 11.8	7.5 12.8	8.1 13.2	8.2 14.1
	in metres	Vert	2.5	4.8	7.6	9.4	10.6	11.6	12.8	13.6
7	Lit / sec / metre		70	155	200	290	335	420	510	595
	NR		-	13	25	36	43	48	52	56
	Throw	Hor.	1 1	3.1 7.6	4.2 9.8	5.9 11.2	7 12.8	7.8 14	8.6 14.2	9.2 16.2
	in metres	Vert	2.6	5.4	8.2	10	11.6	12.8	12.9	14
8	Lit / sec / metre		81	161	240	320	395	495	595	617
	NR		-	15	26	36	43	49	53	59
	Throw	Hor.	1.2 7	3.1 8.7	4.8 10.4	5.8 12.2	7.6 13.1	8.2 14	9.1 16.2	10.8 17.4
	in metres	Vert	2.4	5.8	7.8	11	12.2	13.6	15	15.8