



## Round Ceiling Diffuser

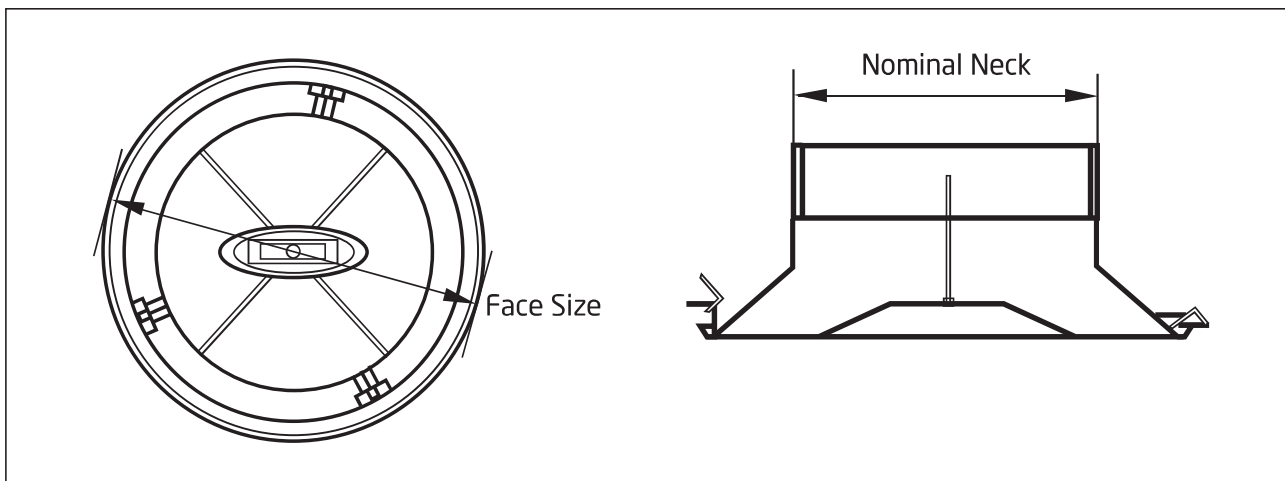
### General Information:

The ceiling diffuser is a supply or return air diffuser made from an Engineering Polymer. It has a simple, visually appealing style that is suitable in commercial and domestic buildings. The central diffusion cone can be adjusted up or down by hand to control the air volume being supplied. For "shut off" the cone can be adjusted fully to stop the air supply completely.

The radial supply air pattern creates a strong ceiling effect resulting in a draft-less environment. The strong ceiling effect allows it to be used in Variable Air Volume applications.

### Features:

- Non-glare mottle white finish
- Grilles are complete with snap down fixing clip and spring arrangement
- The airflow passage are smooth ensuring quiet and efficient airflow



## Quick Selection Table

Data is based on isothermal conditions with a room height of 2.7m with the diffuser mounted flush in an unobstructed ceiling. Throws are given at a terminal velocity of 0.25m/s. Data is tabulated with centre cone in two-test positions 20% and 100% open respectively. Noise Ratings are based on a room absorption level of 10dB.

Neck Size (mm)	150							200							
Percentage Open	20% Open			100% Open				20% Open				100% Open			
Airflow (l/s)	X	P <sub>t</sub>	NR	Airflow (l/s)	X	P <sub>t</sub>	NR	Airflow (l/s)	X	P <sub>t</sub>	NR	Airflow (l/s)	X	P <sub>t</sub>	NR
15	1.0	9	<15	15	0.5	2	<15	25	1.3	6	<15	25	0.7	1	<15
30	1.3	38	16	30	1.0	8	16	50	1.6	25	<15	50	1.2	5	<15
45	1.7	85	17	45	1.3	18	18	75	2.0	56	21	75	1.6	12	<15
60	2.0	151	20	60	1.6	31	21	100	2.3	100	33	100	2.0	21	15
75	2.4	237	24	75	2.0	49	25	125	2.6	156	41	125	2.3	32	19
90	2.8	241	29	90	2.4	70	30	150	3.0	224	55	150	2.6	46	26

Neck Size (mm)	250							300							
Percentage Open	20% Open			100% Open				20% Open				100% Open			
Airflow (l/s)	X	P <sub>t</sub>	NR	Airflow (l/s)	X	P	NR	Airflow (l/s)	X	P <sub>t</sub>	NR	Airflow (l/s)	X	P <sub>t</sub>	NR
40	1.5	5	<15	40	0.8	1	<15	60	1.6	5	<15	60	0.7	1	<15
80	2.0	21	<15	80	1.5	4	<15	120	2.2	19	<15	120	1.6	4	<15
120	2.4	47	19	120	1.9	10	<15	180	2.8	43	16	180	2.3	9	<15
160	2.9	84	31	160	2.4	17	<15	240	3.3	76	26	240	2.7	16	<15
200	3.4	131	37	200	2.8	27	16	300	3.8	119	33	300	3.2	24	15
240	3.9	188	43	240	3.2	39	22	360	4.3	171	39	360	3.6	35	20

### Symbols:

X - Throw in metres correspond to a terminal velocity in occupied zone of 0.25m/s

Pressure ( P<sub>t</sub> ) - All pressures are in Pa (N/m<sup>2</sup>)

NR - Noise level index in dB based on a room absorption and one diffuser